



**Engineered to provide total sleeper comfort
in hot and cold weather without engine idling!**

Smart Control System

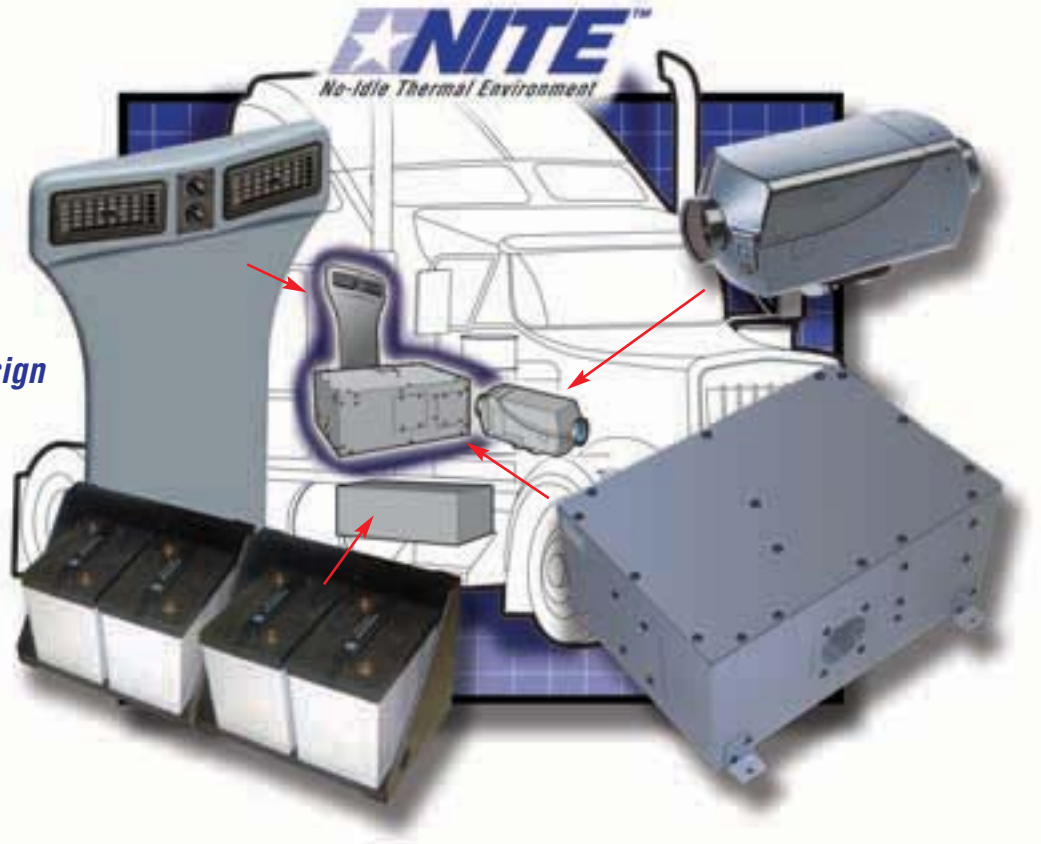
- Features electronic variable functions for optimum comfort and power management.
- Engineered ductwork efficiently circulates air, providing exceptional cooling.
- Low-voltage cutout safeguards the independent NITE deep cycle power source.

Compact Air-Heating System

- Keeps sleeper compartment continuously warm all night.
- Sips a miserly .03 to .06 gallons of diesel fuel per hour.

**Space-Efficient Design
Allows For Easy
Installation.**

- Heavy-duty, yet compact.



Renewable Power Source

- Four deep cycle batteries provide 10-12 hours of NITE cooling power.
- Recharges in 4 to 6 hours.
- Long power cell life of 2+ years.

High-Efficiency A/C System

- NITE System was designed to maintain a comfortable temperature within the sleeper.
- Draws no energy from the truck's electrical system when the truck engine is shut down.
- Operates up to 12 hours between charges.
- All DC components, requires no power inverter.

TECHNICAL SPECIFICATIONS

NITE A/C SYSTEM with SMART CONTROL

Cooling Capacity	3000 BTUH
Voltage.....	12VDC
System Power	300 - 350 watts
Weight	72 Lbs.
Unit Dimensions	22.0" L x 16.0" W x 11.0" H

NITE HEATING SYSTEM

Heat Output	3930 - 7860 BTUH
Airflow	40 - 65 cfm
Fuel Consumption03 - .06 gal. per hour
Power Consumption75 - 1.8 amps
Weight	8 Lbs.
Dimensions.....	12.7" L x 5.1" W x 4.8" H

NITE POWER SYSTEM

Capacity	440 amp hours
Battery Life	2+ years
Operates	10 - 12 hours
Recharges In.....	4 - 6 hours
Weight	300 Lbs.
Dimensions.....	10.5" L x 29" W x 11.5" H

